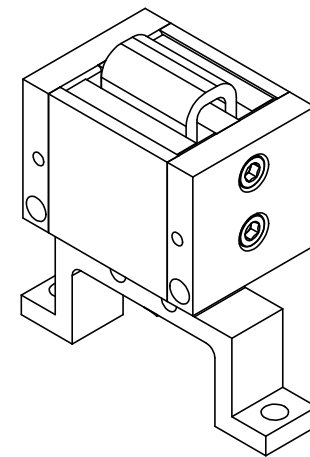
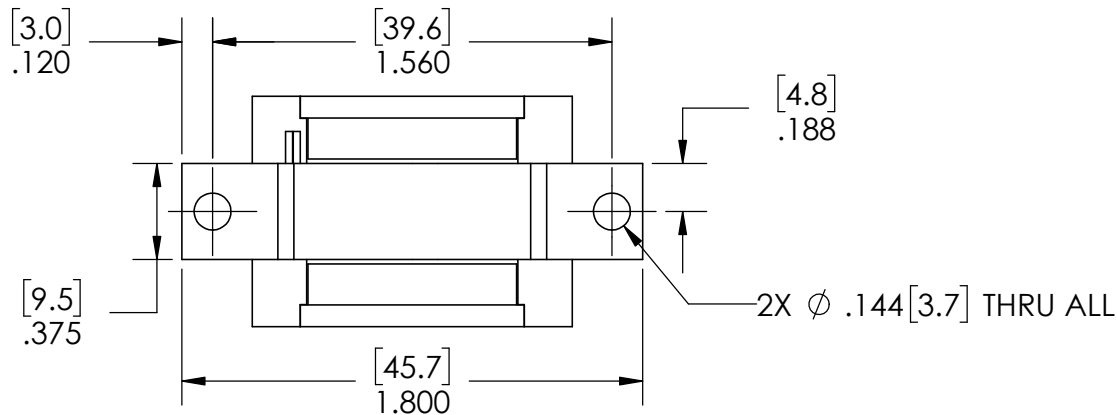
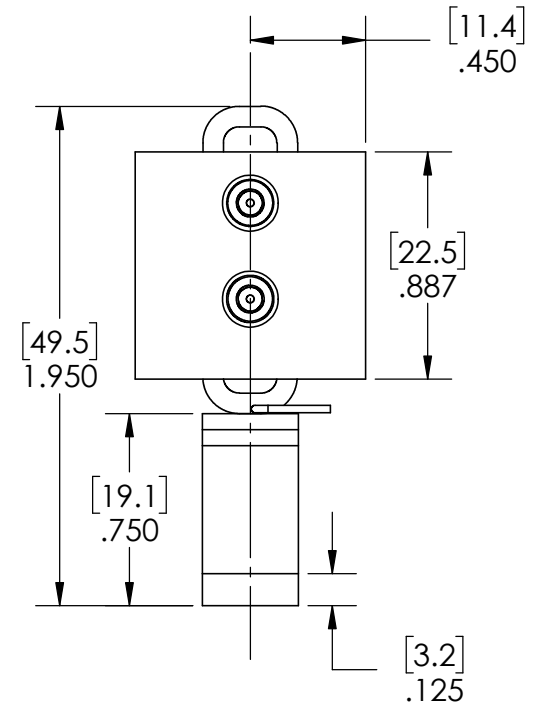
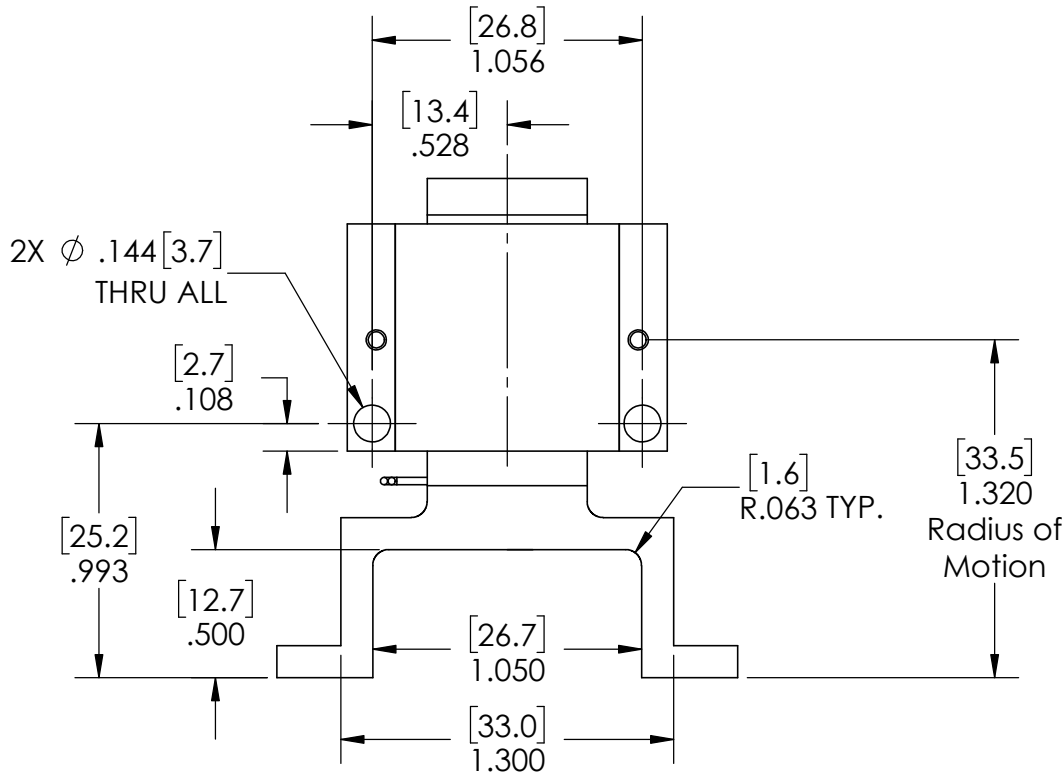


REVISION TABLE					
REV	ECN#	DESCRIPTION	REV BY	APPROVED	DATE
---	---	Original Drawing	JRM	MPW	8-7-15



**H2W Technologies, Inc.**  
 Santa Clarita, CA 91350 USA  
 Tel: (661) 291-1620  
[www.h2wtech.com](http://www.h2wtech.com)

These drawings and specifications are the property of H2W Technologies, Inc. They are issued in confidence and shall not be reproduced, copied, or used without written permission from H2W Technologies, Inc.

UNLESS SPECIFIED OTHERWISE:  
 All dimensions are in inches  
 Standard Tolerances are as follows  
 .XXX  $\pm$ .005 ANGLES  $\pm$ 1°  
 .XX  $\pm$ .010 FILLETS .010  
 .X  $\pm$ .020 CORNERS .010  
 Remove All Burrs and Sharp Edges

**FOR  
 REFERENCE  
 ONLY**

MATERIAL  
 FINISH

TITLE  
 Rotary Voice Coil Actuator Model #:  
**TWR-005-26-006-1RC**

DWG # **80-0291**  
 REV ----  
 DATE 8-7-15 SHEET 1 of 2

1

2

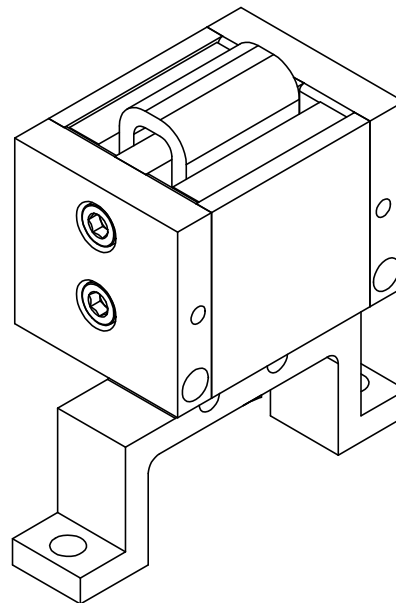
3

4

5

## ROTARY VOICE COIL ACTUATOR SPECIFICATIONS

Motor P/N	TWR-005-26-006	
Stroke	5 degrees	0.09 radians
Housed with Bearings	No	
Coil Mass	0.6 oz	20 grams
Total Mass	3.8 oz	120 grams
Resistance @ 20 °C	2.5 ohms	
Motor Constant	13 in-oz/sqrt(watt)	9.1 N-cm/sqrt(watt)
Torque Constant	21 in-oz/amp	15 N-cm/amp
Torque @ 100% Duty	6.0 in-oz	4.2 N-cm
Torque @ 10% Duty	18.0 in-oz	12.7 N-cm
Power @ 100% Duty	0.5 watts	
Power @ 10% Duty	2.0 watts	
Current @ 100% Duty	0.3 amps	
Current @ 10% Duty	0.9 amps	



**H2W Technologies, Inc.**  
 Santa Clarita, CA 91350 USA  
 Tel: (661) 291-1620  
[www.h2wtech.com](http://www.h2wtech.com)

These drawings and specifications are the property of H2W Technologies, Inc. They are issued in confidence and shall not be reproduced, copied, or used without written permission from H2W Technologies, Inc.

UNLESS SPECIFIED OTHERWISE:  
 All dimensions are in inches  
 Standard Tolerances are as follows  
 .XXX ±.005 ANGLES ±.1°  
 .XX ±.010 FILLETS .010  
 .X ±.020 CORNERS .010  
 Remove All Burrs and Sharp Edges

**FOR  
 REFERENCE  
 ONLY**

MATERIAL

FINISH

TITLE  
 Rotary Voice Coil Actuator Model #:  
**TWR-005-26-006-1RC**

DWG # **80-0291**

REV -----

DATE 8-7-15

SHEET 2 of 2